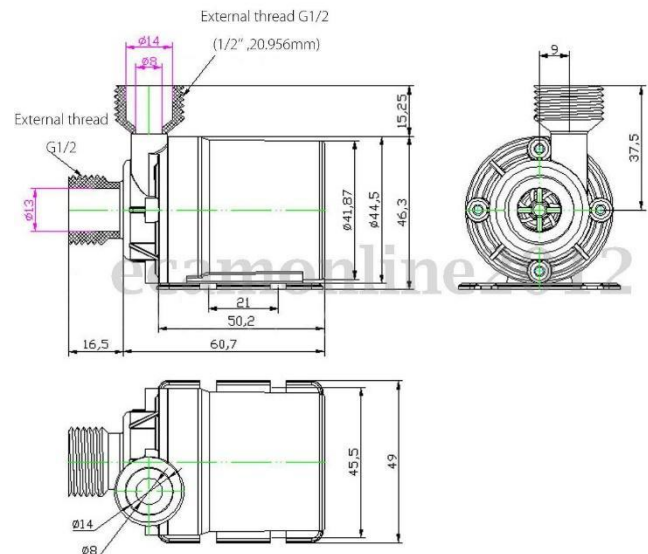


DC 12V 24V 800L/H POMPA D'ACQUA ELETTRICA SOLARE BRUSHLESS MOTORE ACQUA CALDA



Features:

- This DC pump uses advanced electronic components and high-quality wear-resistant shaft
- It is smooth operation, high efficiency, good performance, long service life,
- Can be a long time continuous work, low noise, safety and environmental protection.
- It is widely used in industry, scientific research, aerospace industry.

Specification:

Name: Solar Water pump

Model: ZYW680

Material: Plastic

Color: Black

Sizes: About 4cm(D) x 8cm(H)

Inlet/Outlet: 1/2" male thread

Voltage: 12V -24V DC (can't more than 24V ,so if you use 24v power supply pls test it first)

Maximum Rated Current: 1000MA

Power: 22W

Max Flow Rate: 800 L/H

Max Water Head: 5 meter

Max circulating water temperature: 100°C

Usage:

The water pump cable (red line is positive, do not take the wrong) received a suitable power supply (the battery can be a battery, it can be a power converter), and then a good water pipe, then pump into the water, Can be used normally.

(Note: The DC brushless pump is a centrifugal pump, the pump water flow with the increase of the head decreases.No diving without self-priming function, prohibit no water free.)

Common Troubleshooting:

- 1.The pump flow is reduced or no water. (The pump chamber can be disassembled for cleaning.
- 2.Tland use when the pump does not run water. (There is air in the pump or in the pipeline.)

Package includes:

1 x Solar Water Pump

Note:

- 1.Do not take the wrong pump positive and negative.
- 2.Prohibit not through the power converter will be connected directly to the 220V power supply pump.
- 3.Is strictly prohibited for strong acidity, alkali and other damage to the pump medium.
- 4.The pump is suitable for medium temperature 1 °C -60 °C.